

**leboulch**



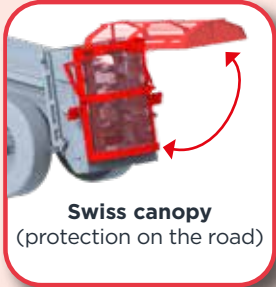
[www.leboulch.com](http://www.leboulch.com)

**HVS**  
e v o l u t i o n

**ALL-TERRAIN MOUNTAIN-TYPE  
MUCK SPREADER**



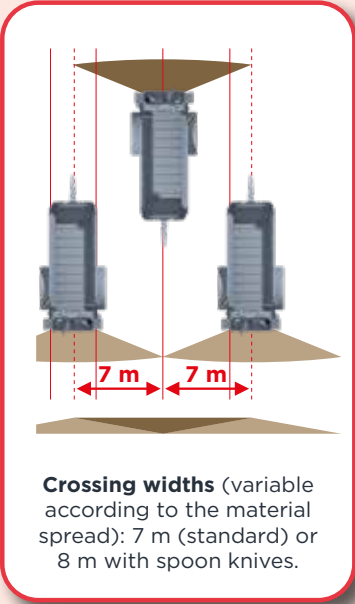
**Leboulch, experience and sturdiness for a well done job!**



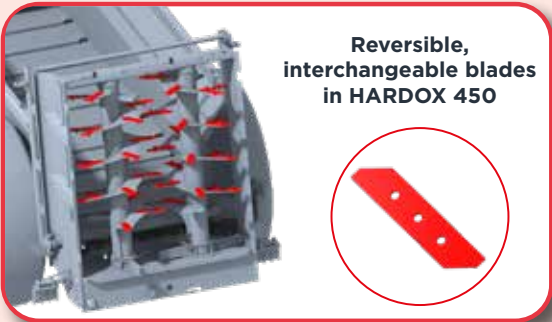
**Swiss canopy**  
(protection on the road)



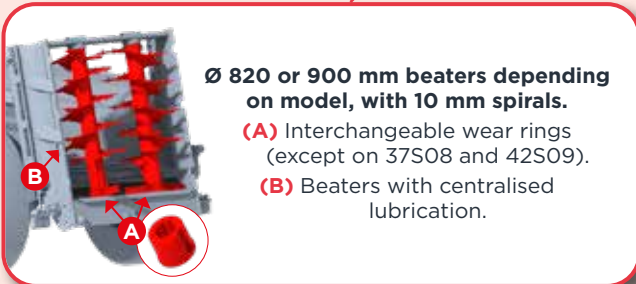
**(A) Double-door canopy**  
**(B) Ladder to see inside the trailer**



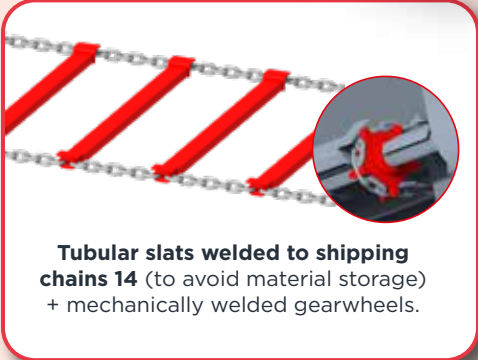
**Crossing widths** (variable according to the material spread): 7 m (standard) or 8 m with spoon knives.



**Reversible, interchangeable blades in HARDOX 450**



**Ø 820 or 900 mm beaters depending on model, with 10 mm spirals.**  
**(A) Interchangeable wear rings** (except on 37S08 and 42S09).  
**(B) Beaters with centralised lubrication.**



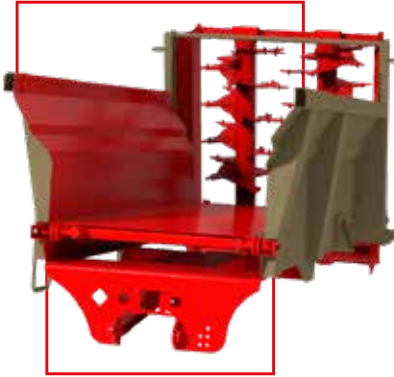
**Tubular slats welded to shipping chains 14** (to avoid material storage) + mechanically welded gearwheels.





**Guillotine door** (standard pre-equipment)

170 or 191 cm depending on the model



130 or 150 cm depending on the model

**Monoblock, tapered body** with one-piece side sheets for easy unloading of the goods.

**Simplified DPA** with Ferti 500 control box



**Precise DPA** with Ferti 4000 control box



**DPA (proportional flow):** automatic regulation of the moving floor speed according to the door opening (except Ferti 500) and driving speed. Control box to be placed in the tractor.

**Headboard**

with self-cleaning grate.



**Document tube** with individualised spare parts book.



(A)

(B)

**Choice of eyelets**

(A) Bolted Ø50 mm (standard)

(B) Bolted knee-joint (option)



**Drive line with transmission under the lowered axle** (ideal for sloping terrain).

Wear rings on rear bearings. Free wheel clutch on rear universal joint. Sealing flaps at the front and on the spreading table.

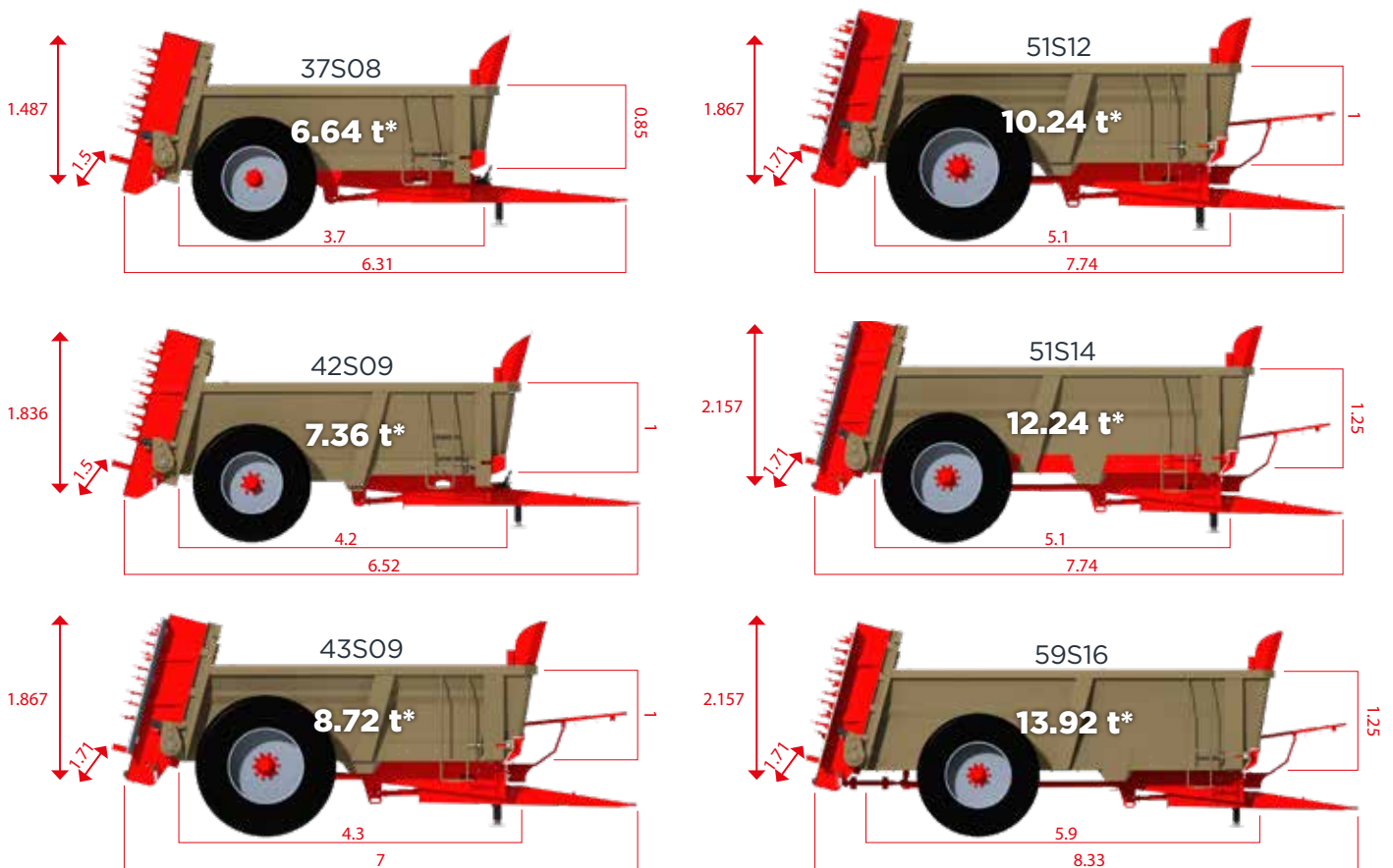


# HVS evolution

- ✓ Single axle from 7.8 to 17.44 m<sup>3</sup>
- ✓ Lowered body for excellent stability and grip on slopes
- ✓ Balanced Leboulch beaters with spirals
- ✓ Removable blades

## FOR SMALL AND MEDIUM-SIZED BUSINESSES

The dimensions below are given in meters (m).



\*Capacity (in t) for manure with a density of 0.8 t/m<sup>3</sup>.

### Excellent price-quality ratio!



**JLB leboulch**

Route de Guernanville, 27330 La Vieille-Lyre (France)

Tel.: +33 2 32 30 67 47

E-Mail: info@leboulch.com

www.leboulch.com

